

Magnetventile/Solenoid valves

Scem/Parker



Abb. Pict.	Bestell-Nr. Order-No.	Beschreibung Description
1	370057	kpl., 3 Wege, 230VAC cpl., 3 ways, 230VAC
2	370060	kpl., 230V, 3 Wege, mit Kabel cpl., 230V, 3 ways, with cable
3	370062	Ventilkörper Solenoid square pin



Abb. Pict.	Best.-Nr. Ord.-No.	Beschreibung Description
1	370206	kpl., 2 Wege, 1/8", 230VAC cpl., 2 ways, 1/8", 230VAC
2	371029	Magnetspule, 230VAC Magnetic coil, 230VAC
3	371033	Magnetspule, mit Kabel, 230VAC Magnetic coil, with cable, 230VAC



Abb. Pict.	Bestell-Nr. Order-No.	Beschreibung Description
1	371090	Stecker Plug
2	371095	O-Ring (Viton) O-ring (viton)
3	371100	O-Ring (Silikon) O-ring (Silicon)

Pressostate, Thermostate/Pressure switches, thermostats

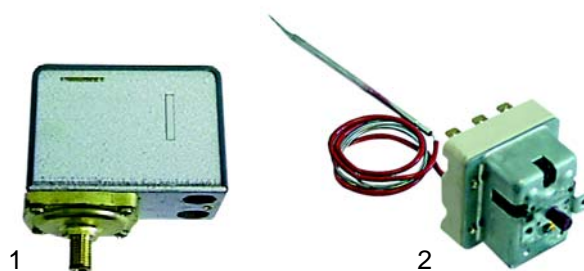


Abb. Pict.	Bestell-Nr. Order-No.	Beschreibung Description
1	541021	Pressostat Pressure switch
2	390324	Sicherheitsthermostat Safety thermostat

Schalter/Switches



Abb. Pict.	Bestell-Nr. Order-No.	Beschreibung Description
1	345148	Hauptschalter Main switch
2	111162	Knebel Knob
3	345032	Mikroschalter Microswitch
4	345104	Mikroschalter Microswitch

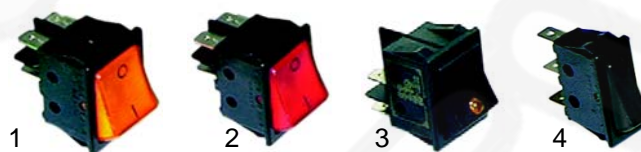


Abb. Pict.	Bestell-Nr. Order-No.	Beschreibung Description
1	301002	Gruppenschalter, 30 x 22mm Group switch, 30 x 22mm
2	301001	Gruppenschalter, 30 x 22mm Group switch, 30 x 22mm
3	301061	Gruppenschalter, 30 x 22mm Group switch, 30 x 22mm
4	301013	Gruppenschalter, 26,5 x 25,6 Group switch, 26,5 x 25,6

Signallampen/Signal lamps



Abb. Pict.	Bestell-Nr. Order-No.	Beschreibung Description
1	359142	Signallampe/grün, 13mm Signal lamp/green, 13mm
2	359143	Signallampe/gelb, 13mm Signal lamp/yellow, 13mm

Niveauregler/Level controller



Abb. Pict.	Bestell-Nr. Order-No.	Beschreibung Description
1	400010	Niveauregler (RL70/1E/2C8) Level controller (RL70/1E/2C8)
2	380137	Sockel, 8-polig Base, 8 poles
3	400020	Niveausonde, 150mm Level probe, 150mm

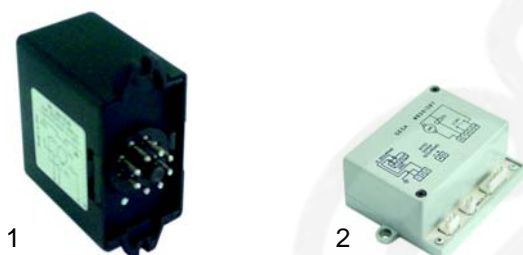


Abb. Pict.	Bestell-Nr. Order-No.	Beschreibung Description
1	400408	Niveauregler Level controller
2	400409	Niveauregler Level controller

Elektronik, Flow-Meter/Electronic, flow-meter



Abb. Pict.	Bestell-Nr. Order-No.	Beschreibung Description
1	400379	Elektronik-Box Electronic box
2	400004	Flowmeter, 1/4" Flowmeter, 1/4"
3	400256	Stecker Plugs
4	400257	Zählrad Flow-meter reel
5	400258	Gehäusedichtung Case gasket

Tastaturen/Key push buttons

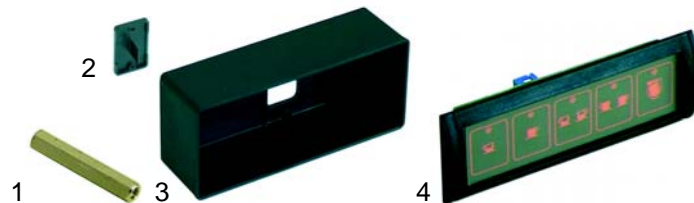


Abb. Pict.	Bestell-Nr. Order-No.	Beschreibung Description
1	400324	Abstandsbolzen Distance bolt
2	400326	Deckel Cover
3	400325	Gehäuse Case
4	400323	Tastatur Key push button



Abb. Pict.	Bestell-Nr. Order-No.	Beschreibung Description
1	400312	Tastatur Key push button
2	400313	Folienaufkleber Adhesive serigraphy



Abb. Pict.	Bestell-Nr. Order-No.	Beschreibung Description
1	400439	Tastatur (Rimini) Key push button (Rimini)
2	400441	Tastatur (Rimini) Key push button (Rimini)
3	400442	Tastaturblende Key push button screen

Elektronik/Electronics

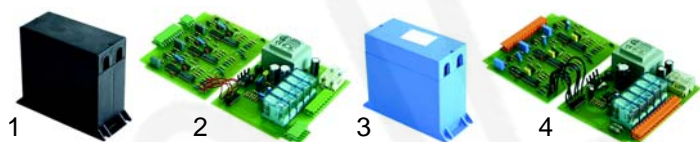


Abb. Pict.	Bestell-Nr. Order-No.	Beschreibung Description
1	400316	Elektronikbox, 2 Gruppen Electronic box, 2 groups
2	400443	Elektronikplatine, 3 Gruppen Electronic board, 3 groups
3	400317	Elektronikbox, 2 Gruppen Electronic box, 2 groups
4	400444	Elektronikplatine, 3 Gruppen Electronic board, 3 groups

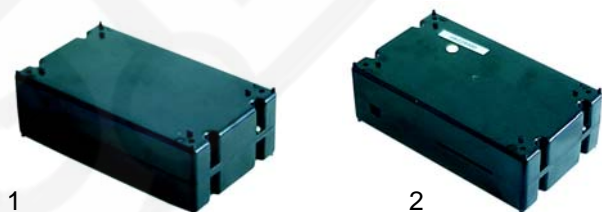


Abb. Pict.	Bestell-Nr. Order-No.	Beschreibung Description
1	400322	Elektronikbox, 2 - 3 Gruppen Electronicbox, 2 - 3 groups
2	400445	Elektronikbox (Rimini) Electronicbox (Rimini)

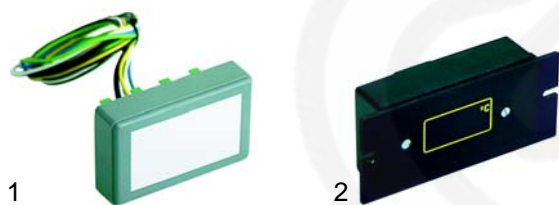


Abb. Pict.	Bestell-Nr. Order-No.	Beschreibung Description
1	400319	Flowmeter-Adapter Flowmeter adapter
2	400314	Thermometer Thermometer

Tastaturen/Key push buttons



Abb. Pict.	Bestell-Nr. Order-No.	Beschreibung Description
1	400320	Tastatur-Adapter Key push button adapter
2	400446	Schlüsselschalter Key switch
3	400315	Transformator Transformer

Heizkörper/Heaters



Pos. Item	Bestell-Nr. Order-No.	Beschreibung Description
1	417003	Heizkörper, 1 Gruppe, 1800W, 230V Heater, 1 group, 1800W, 230V

Mit Tauchhülse With immersion socket



Abb. Pict.	Bestell-Nr. Order-No.	Beschreibung Description
1	417116	Heizkörper, 1 Gruppe, 1800W, 230V Heater, 1 group, 1800W, 230V
2	417001	Heizkörper, 2 Gruppen 2600W, 230V Heater, 2 groups 2600W, 230V
3	417109	Heizkörper, 3 Gruppen 3700W, 230V Heater, 3 groups 3700W, 230V

Heizkörper/Heaters

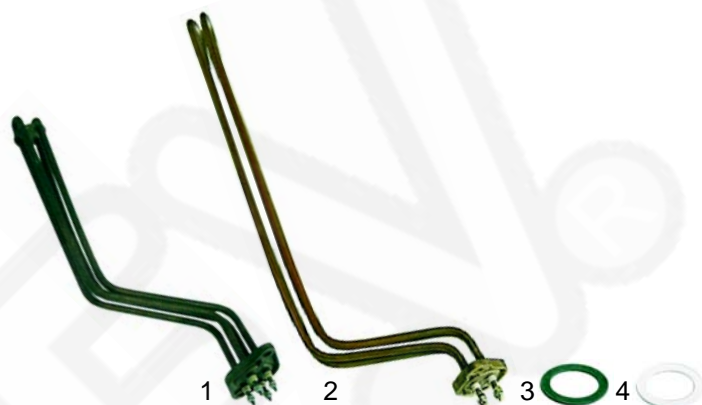


Abb. Pict.	Bestell-Nr. Order-No.	Beschreibung Description
1	417008	Heizkörper, 2 Gruppen 2600W, 230V Heater, 2 groups 2600W, 230V
2	417117	Heizkörper, 3 Gruppen 3700W, 230V Heater, 3 groups 3700W, 230V
3	528001	Dichtung (Klingerit) Gasket (klingerit)
4	528002	Dichtung (Teflon) Gasket (teflon)

Kesseldichtungen/Pot gaskets



Abb. Pict.	Bestell-Nr. Order-No.	Beschreibung Description
1	528100	Dichtung/Teflon (No-Stop, Prestige) Gasket/teflon (No-Stopo, Prestige)
2	528103	Dichtung/Klingerit, 16 Löcher (E61, Ariete) Gasket/klingerit, 16 holes (E61, Ariete)
2	528108	Dichtung/Klingerit, 12 Löcher (E61, Ariete) Gasket/klingerit, 12 holes (E61, Ariete)
3	528104	Dichtung/Teflon, 16 Löcher (E61, Ariete) Gasket/teflon, 16 holes (E61, Ariete)
3	528107	Dichtung/Teflon, 12 Löcher (E61, Ariete) Gasket/teflon, 12 holes (E61, Ariete)

Kesselflansche/Pot flanges



Abb. Pict.	Bestell-Nr. Order-No.	Beschreibung Description
1	528109	Flansch/12 Löcher, (E61, Ariete) Flange/12 holes, (E61, Ariete)
2	528111	Flansch/12 Löcher, (E61, Ariete) Flange/12 holes, (E61, Ariete)
3	528106	Ring/16 Löcher, (E61, Ariete) Ring/16 holes, (E61, Ariete)
3	528112	Ring/12 Löcher, (E61, Ariete) Ring/12 holes, (E61, Ariete)

Manometer/Manometers



Abb. Pict.	Bestell-Nr. Order-No.	Beschreibung Description
1	541200	Manometer, 0 - 3bar (E61) Manometer, 0 - 3bar (E61)
2	541201	Manometer, 0 - 16bar (E61) Manometer, 0 - 16bar (E61)
3	541281	Manometer, 0 - 20bar Manometer, 0 - 20bar



Abb. Pict.	Bestell-Nr. Order-No.	Beschreibung Description
1	541208	Manometer, Doppelskala Manometer, double scale
2	541282	Manometer, 0 - 2bar (CFE) Manometer, 0 - 2bar (CFE)

Ventile/Valves



Abb. Pict.	Bestell-Nr. Order-No.	Beschreibung Description
1	529312	Sicherheitsventil, 1,8bar, 3/8" Safety valve, 1,8bar, 3/8"
2	529316	Sicherheitsventil/plombiert, 1,8bar, 3/8" Safety valve/sealed, 1,8bar, 3/8"
3	529303	Entlüftungsventil (CNS), 1/4" Empty valve (stainless steel), 1/4"
4	529304	Entlüftungsventil, 1/4" Empty valve, 1/4"
5	529361	Cu-Dichtung, 1/4" Cu-gasket, 1/4"
6	529349	Cu-Dichtung, 3/8" Cu-gasket, 3/8"

Expansions- und Rückschlagventile/Expansion- and non-return valve



Abb. Pict.	Bestell-Nr. Order-No.	Beschreibung Description
1	528490	Rückschlagventil (E61) Non-return valve (E61)
2	529300	Expansionventil (E61) Expansion valve (E61)
3	529320	Expansions- und Rückschlagventil (CFA) Expansion- and Non-return valve (CFA)
4	529530	Rückschlagventil (CEE) Non-return valve (CEE)

Abb. Pict.	Bestell-Nr. Order-No.	Beschreibung Description
5	529529	Expansions- und Rückschlagventil (CEE) Expansion- and Non-return valve (CEE)
6	529322	Rückschlagventil (CFP) Non-return valve (CFP)
7	529319	Expansions- und Rückschlagventil (CFE/CFP) Expansion- and Non-return valve (CFE/CFP)

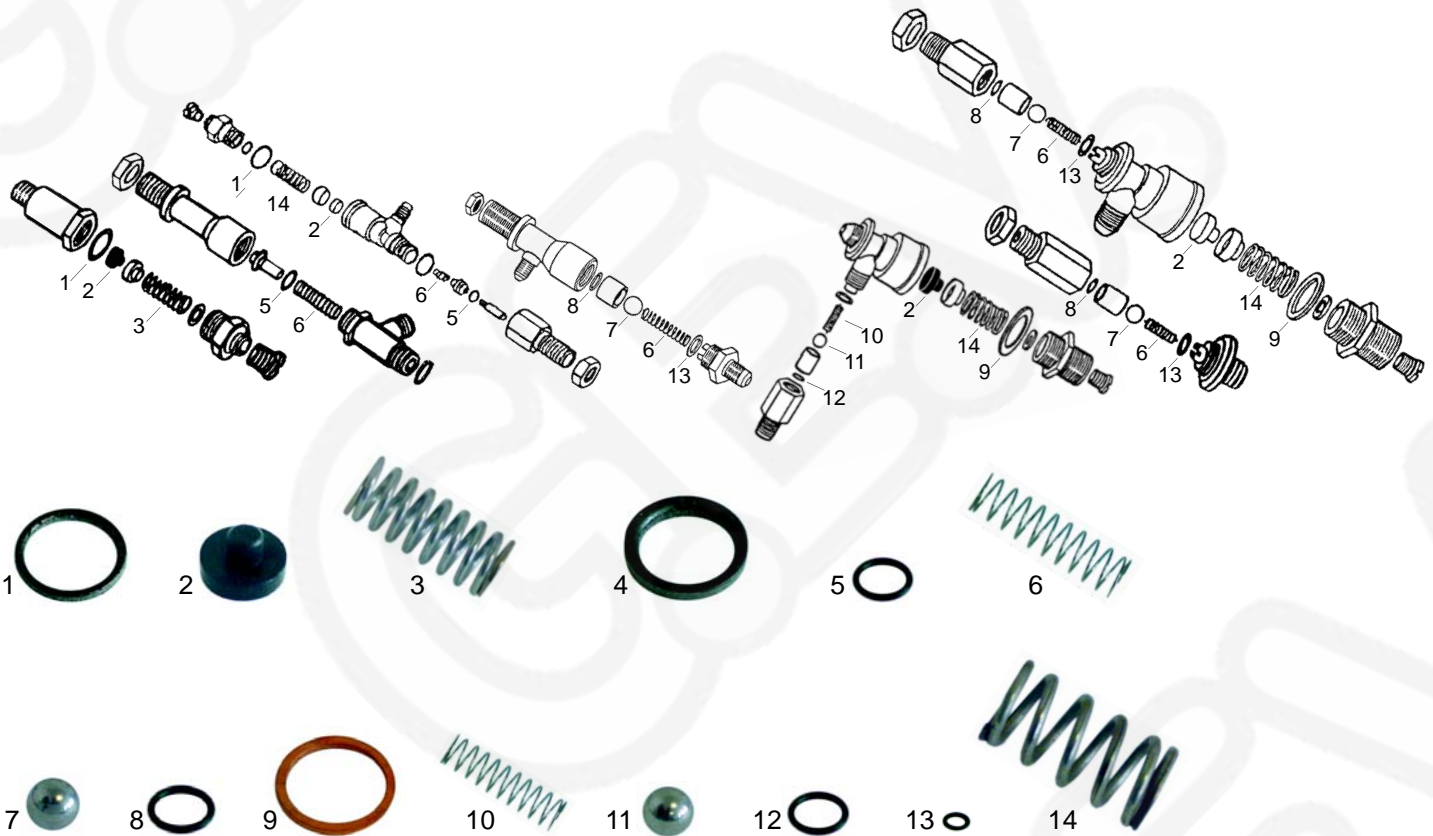


Abb. Pict.	Bestell-Nr. Order-No.	Beschreibung Description
1	528479	Dichtung (Klingerit) Gasket (klingerit)
2	528425	Dichtung Gasket
3	528475	Feder Spring
4	528401	Dichtung (Klingerit) Gasket (klingerit)
5	528478	O-Ring O-ring
6	528392	Feder Spring
7	528419	Kugel (CNS) Ball (stainless steel)

Abb. Pict.	Bestell-Nr. Order-No.	Beschreibung Description
8	528229	O-Ring (Viton) O-ring (viton)
9	528420	Cu-Dichtung Cu-gasket
10	528421	Feder Spring
11	528422	Kugel (CNS) Ball (stainless steel)
12	528478	O-Ring (Viton) O-ring (viton)
13	529368	O-Ring O-ring
14	528424	Feder Spring

Wasserstandsglas/Level glass

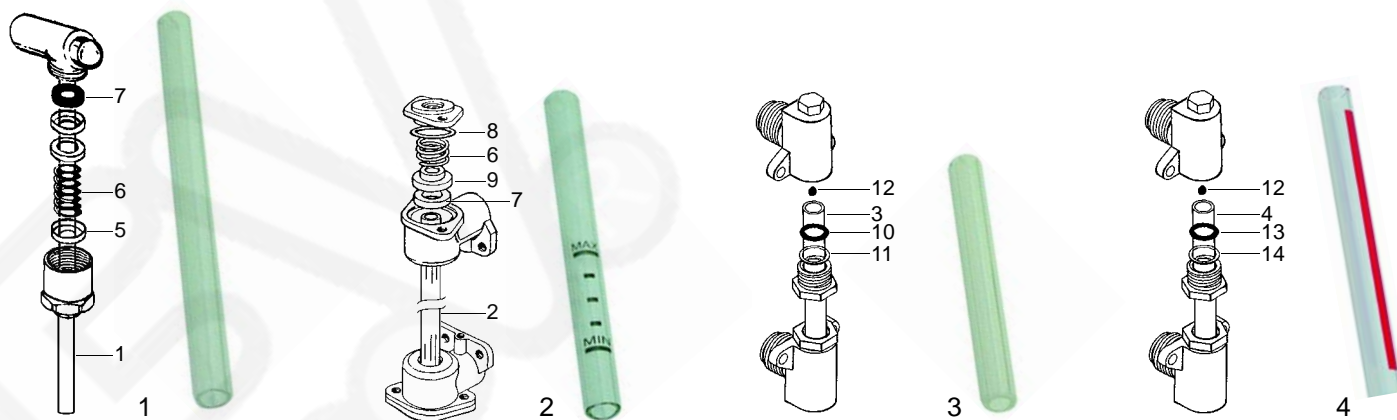


Abb. Pict.	Bestell-Nr. Order-No.	Beschreibung Description
1	529352	Wasserstandsglas, 12 x 175mm, (E61) Level glass, 12 x 175mm, (E61)
2	529351	Wasserstandsglas, 12 x 135mm, (CFA, CFS) Level glass, 12 x 135mm, (CFA, CFS)

Abb. Pict.	Bestell-Nr. Order-No.	Beschreibung Description
3	529367	Wasserstandsglas, (Ariete, Rimini) Level glass, (Ariete, Rimini)
4	529387	Wasserstandsglas, (Ariete, Rimini) - Neu Level glass, (Ariete, Rimini) - new



Abb. Pict.	Bestell-Nr. Order-No.	Beschreibung Description
5	528426	Buchse Bush
6	529356	Feder Spring
7	529354	Dichtung Gasket
8	529357	O-Ring O-ring
9	529358	Buchse Bush

Abb. Pict.	Bestell-Nr. Order-No.	Beschreibung Description
10	529368	O-Ring O-ring
11	529369	Scheibe Washer
12	529355	Plasikkugel Plastic ball
13	528583	Dichtung Gasket
14	528682	Druckscheibe Pressure washer

Wasserfüllventile/Water intake valves

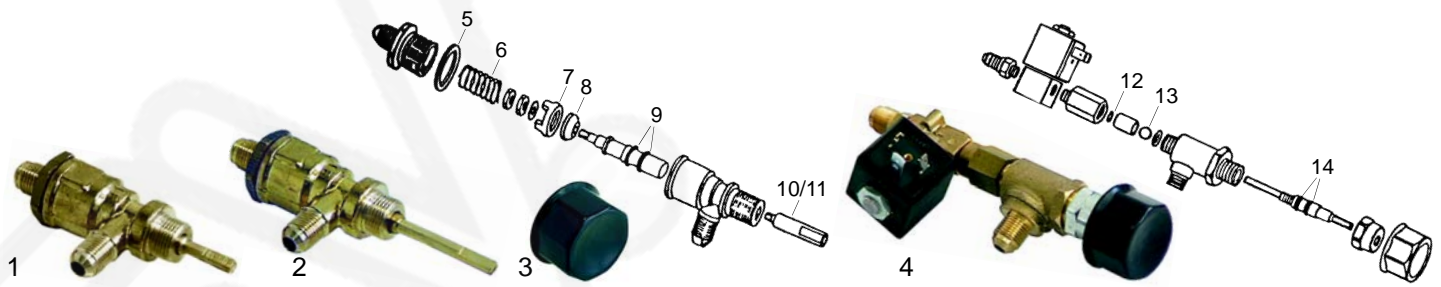


Abb. Pict.	Bestell-Nr. Order-No.	Beschreibung Description
1	529524	Wasserfüllhahn/kpl. Water intake tap/cpl.
2	529525	Wasserfüllhahn/kpl. Water intake tap/cpl.

Abb. Pict.	Bestell-Nr. Order-No.	Beschreibung Description
3	111020	Knebel Knob
4	529528	Füllventil/elektrisch Intake valve/electric



Abb. Pict.	Bestell-Nr. Order-No.	Beschreibung Description
5	528420	Cu-Dichtung Cu-gasket
6	528423	Feder Spring
7	528595	Buchse Bush
8	528596	Dichtung Gasket
9	528469	O-Ring O-ring

Abb. Pict.	Bestell-Nr. Order-No.	Beschreibung Description
10	528597	Wellenverlängerung, 17mm Shaft extension, 17mm
11	528598	Wellenverlängerung, 42mm Shaft extension, 42mm
12	528478	O-Ring (Viton) O-ring
13	528422	Kugel (CNS) Ball (stainless steel)
14	528551	O-Ring O-ring

Hähne/Taps



Abb. Pict.	Bestell-Nr. Order-No.	Beschreibung Description
1	528491	Dampf-/Wasserhahn/kpl. Steam-/Watertap/cpl.
2	111028	Knebel Knob
3	529520	Dampf-/Wasserhahn/kpl. Steam-/Watertap/cpl.
4	111109	Knebel/schwarz Knob/black
5	111111	Knebel/braun Knob/brown

Abb. Pict.	Bestell-Nr. Order-No.	Beschreibung Description
6	528427	Dampf-/Wasserhahn/kpl. Steam-/Watertap/cpl.
7	111112	Knebel Knob
8	111113	Blende/Dampf Screen/steam
9	111114	Blende/Wasser Screen/water

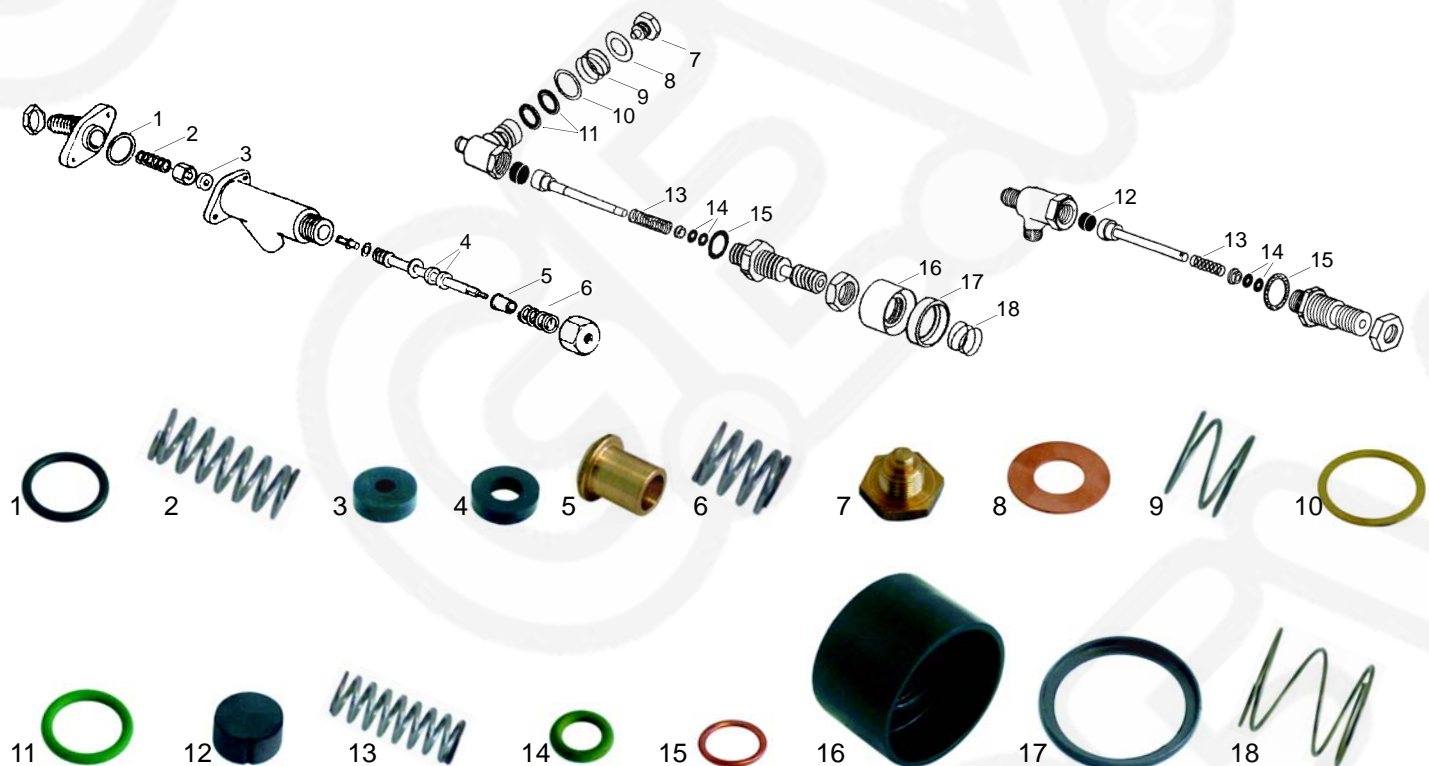


Abb. Pict.	Bestell-Nr. Order-No.	Beschreibung Description
1	528640	O-Ring O-ring
2	528497	Feder Spring
3	528494	Dichtung Gasket
4	528641	Dichtung Gasket
5	528642	Buchse Bush
6	528498	Feder Spring

Abb. Pict.	Bestell-Nr. Order-No.	Beschreibung Description
7	528643	Schraube Screw
8	528644	Scheibe Washer
9	528645	Feder Spring
10	528646	Scheibe Washer
11	528647	O-Ring (Viton) O-ring (viton)
12	528648	Dichtung (Viton) Gasket (viton)

Abb. Pict.	Bestell-Nr. Order-No.	Beschreibung Description
13	528484	Feder Spring
14	528649	O-Ring O-ring
15	528520	Cu-Dichtung Cu-gasket
16	528650	Buchse/schwarz Bush/black
17	528651	Scheibe Washer
18	528652	Feder Spring

Rohre/Pipes



Abb. Pict.	Bestell-Nr. Order-No.	Beschreibung Description	Gerätetyp Device type
1	529557	Dampfrohr, 25cm (E61) Steampipe, 25cm (E61)	E61
1	529558	Dampfrohr, 30cm (E61) Steampipe, 30cm (E61)	E61
2	529559	Wasserrohr, 25cm (E61) Waterpipe, 25cm (E61)	E61
3	529521	Dampfrohr Steampipe	CFE
4	529522	Wasserrohr Waterpipe	CFF
5	529579	Dampfrohr Steampipe	Nueva Ariete
6	529586	Wasserrohr Waterpipe	Nueva Ariete
7	528643	Schraube Screw	-
8	528644	Scheibe Washer	-
9	528645	Feder Spring	-

Abb. Pict.	Bestell-Nr. Order-No.	Beschreibung Description	Gerätetyp Device type
10	528646	Scheibe Washer	-
11	528647	O-Ring (Viton) O-ring (viton)	-
12	529587	Dampfrohr Steampipe	Nueva Ariete, Rimini
12	529588	Dampfrohr (CNS) Steampipe (stainless steel)	Nueva Ariete, Rimini
13	529589	Wasserrohr Waterpipe	Nueva Ariete, Rimini
14	528401	Dichtung Gasket	-
15	528184	Feder Spring	-
16	528653	Scheibe Washer	-
17	528654	Buchse (Nylon) Bush (nylon)	-
18	528655	O-Ring O-ring	-



1

Abb. Pict.	Bestell-Nr. Order-No.	Beschreibung Description	Gerätetyp Device type
1	528609	Ablaufwanne Drain tap	E61



2

Abb. Pict.	Bestell-Nr. Order-No.	Beschreibung Description	Gerätetyp Device type
2	528613	Ablaufwanne Drain tap	(Ariete/Neu) (Ariete/new)

Ersatzteile passend f./Spare parts suitable f. Futurmat

Gruppe E61, CFE-O, Ariete/Neu/Group E61, CFE-O, Ariete/new

Passend für/Suitable for Futurmat 1

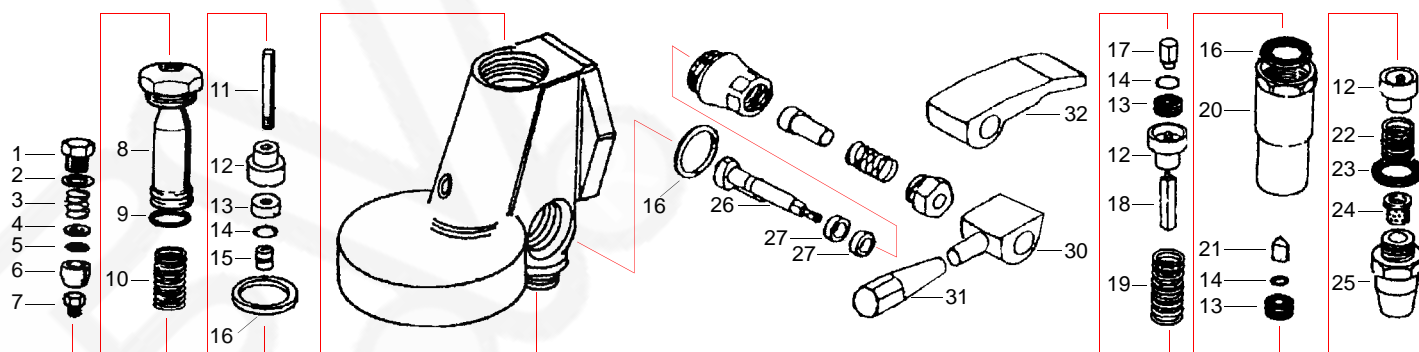
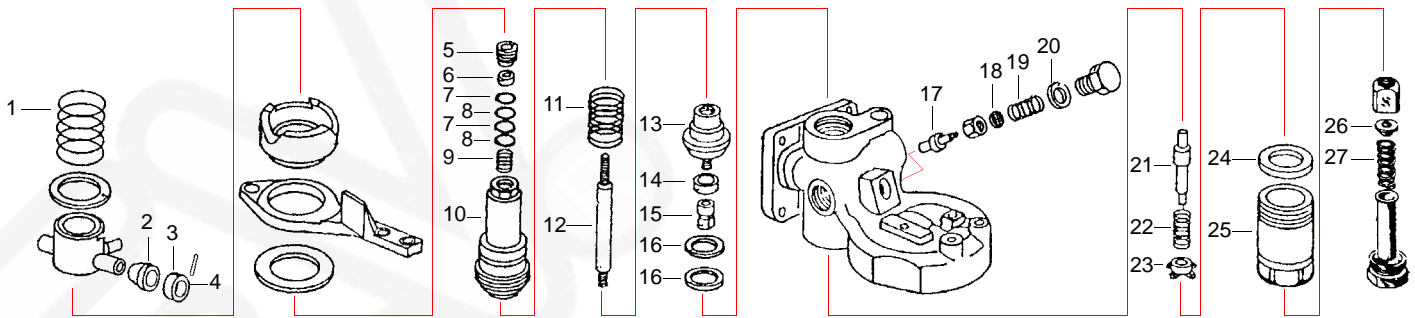


Abb. Pict.	Bestell-Nr. Order-No.	Beschreibung Description	Abb. Pict.	Bestell-Nr. Order-No.	Beschreibung Description	Abb. Pict.	Bestell-Nr. Order-No.	Beschreibung Description
1	528519	Endkappe Ending cap	12	528528	Buchse Bush	23	528508	Cu-Dichtung Cu-gasket
2	528520	Cu-Dichtung Cu-gasket	13	528494	Dichtung, 13 x 4 x 4mm Gasket, 13 x 4 x 4mm	24	528537	Strahlbrecher Perlator
3	528521	Feder Spring	14	528529	Scheibe Washer	25	528538	Ablaufendstück Drain end part
4	528522	Scheibe Washer	15	528530	Hutmutter, 11mm Hat nut, 11mm	26	528539	Welle, exzentrisch Shaft, eccentric
5	528326	Filter Filter	16	528524	Dichtung (Teflon) Gasket (teflon)	27	528495	Dichtung Gasket
6	528321	Filterträger Filter holder	17	528531	Hutmutter, 12mm Hat nut, 12mm	28	528541	Buchse Bush
7	528486	Düse Nozzle	18	528532	Schraube/lang, Infusion Srew/long, infusion	29	528542	Feder Spring
8	528523	Trompete Trumpet	19	528533	Feder Spring	30	528656	Hebel Lever
9	528525	O-Ring O-ring	20	528534	Kolektor Kollector	31	528657	Griff Knob
10	528526	Feder Spring	21	528535	Hutmutter Hat nut	32	528658	Griff Knob
11	528527	Welle Shaft	22	528475	Feder Spring			

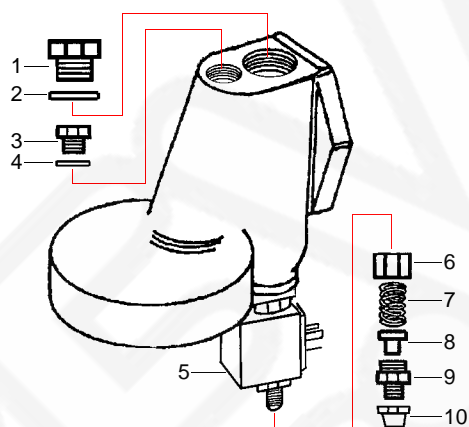
Gruppe CFA/CFS/Group CFA/CFS



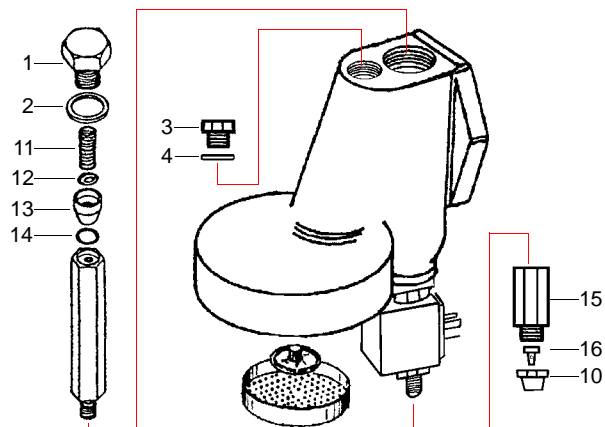
ohne Abbildung!
without picture!

Abb. Pict.	Bestell-Nr. Order-No.	Beschreibung Description	Abb. Pict.	Bestell-Nr. Order-No.	Beschreibung Description	Abb. Pict.	Bestell-Nr. Order-No.	Beschreibung Description
1	528544	Feder Spring	10	528554	Kollektorglocke Commutator bell	19	528563	Feder Spring
2	528545	Buchse Bush	11	528555	Feder Spring	20	528564	Dichtung/Teflon Gasket/teflon
3	528546	Stelling Adjust ring	12	528556	Welle Shaft	21	528565	Welle Shaft
4	528547	Spannstift Pivot	13	528557	Buchse Bush	22	528566	Feder Spring
5	528548	Pressbuchse Press bush	14	528558	Dichtung, 13 x 4 x 4mm Gasket, 13 x 4 x 4mm	23	528567	Ventilführung Valve guide
6	528549	Buchse Bush	15	528559	Schraube Screw	24	528568	Cu-Dichtung Cu-gasket
7	528550	Scheibe/Teflon Washer/teflon	16	528560	Cu-Dichtung Cu-gasket	25	528569	Ventilkörper Solenoid square pin
8	528551	O-Ring O-ring	17	528561	Düse Nozzle	26	528570	Federführung Spring guide
9	528552	Feder Spring	18	528562	Filter Filter	27	528571	Feder Spring
10	528553	Kollektor/kpl. Commutator/cpl.						

Gruppe CFE/Magnetventil, Ariete/Neu/Group CFE/Solenoid valve, Ariete/new



CFE



CFE/Neu



Abb. Pict.	Bestell-Nr. Order-No.	Beschreibung Description
1	528659	Endkappe Ending cap
2	528660	Cu-Dichtung Cu-gasket
3	528661	Endkappe Ending cap
4	528662	Cu-Dichtung Cu-gasket
5	370060	Magnetventil Solenoid
6	528663	Überwurfmutter Union nut
7	528664	Feder Spring
8	528665	Federführung Spring guide

Abb. Pict.	Bestell-Nr. Order-No.	Beschreibung Description
9	528666	Nippel Nipple
10	528667	Mutter Nut
11	528668	Feder Spring
12	528669	Filter Filter
13	528670	Düse Nozzle
14	528469	O-Ring O-ring
15	528671	Nippel Nipple
16	528672	Buchse Bush

Gruppe CFE/Magnetventil, Ariete/Neu/Group CFE/Solenoid valve, Ariete/new

1
Passend für/Suitable for Futurmat

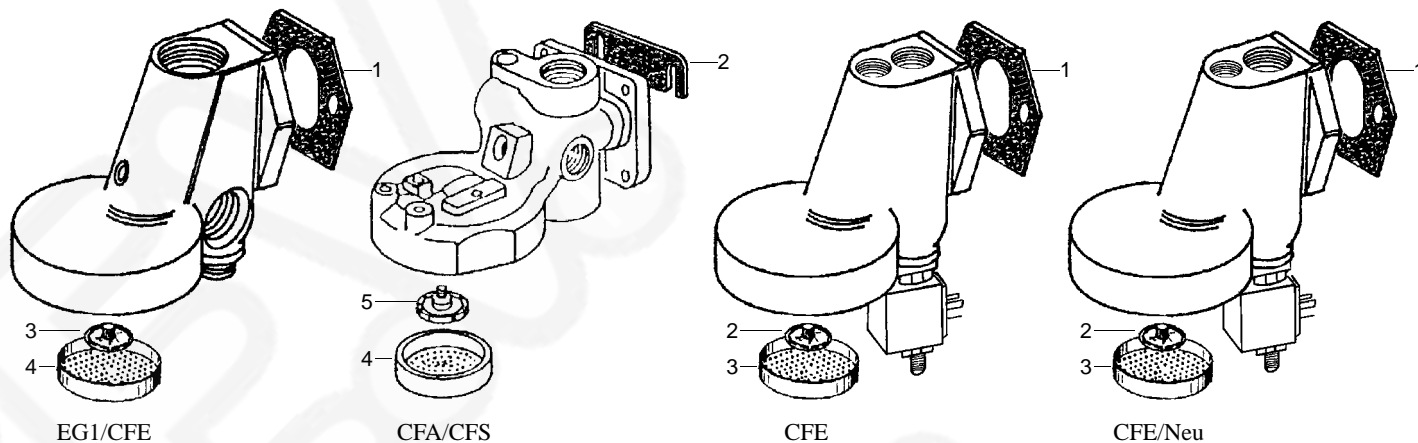


Abb. Pict.	Bestell-Nr. Order-No.	Beschreibung Description
1	528115	Gruppendichtung Group gasket
2	528113	Gruppendichtung Group gasket
3	529081	Strahlbrecher Perlator

Abb. Pict.	Bestell-Nr. Order-No.	Beschreibung Description
4	529080	Dusche Shower
5	529082	Strahlbrecher/kpl. Perlator/cpl.

Siebträgerdichtungen, Filter/Filter holder gaskets, Filter



Abb. Pict.	Bestell-Nr. Order-No.	Beschreibung Description
1	528033	Distanzeinlage, 71 x 68mm Shim gasket, 71 x 68mm
2	528030	Siebträgerdichtung, 73 x 57 x 8mm Filter holder gasket, 73 x 57 x 8mm
2	528031	Siebträgerdichtung, 73 x 57 x 8,5mm Filter holder gasket, 73 x 57 x 8,5mm
2	528032	Siebträgerdichtung, 73 x 57 x 9mm Filter holder gasket, 73 x 57 x 9mm
2	528070	Siebträgerdichtung, 73 x 57 x 8mm, 3 Kerben Filter holder gasket, 73 x 57 x 8mm, 3 notches
3	529012	Sieb, 1 Tasse (6g) Filter, 1 cup (6g)

Abb. Pict.	Bestell-Nr. Order-No.	Beschreibung Description
3	529011	Sieb, 1 Tasse (7g) Filter, 1 cup (7g)
4	529014	Sieb, 2 Tassen (12g) Filter, 2 cups (12g)
4	529013	Sieb, 2 Tassen (14g) Filter, 2 cups (14g)
5	529023	Blindfilter Blindfilter
6	529079	Filterfeder Filter spring

Siebträger/Filter holders



Abb. Pict.	Bestell-Nr. Order-No.	Beschreibung Description	Gerätetyp Device type
1	529040	Siebträger Filter holder	E61
2	529048	Verlängerung Extension	E61
3	529046	Griff Holder	E61
4	529041	Siebträger, M12 Filter holder, M12	CFE, CEE, CFA, CFS

Abb. Pict.	Bestell-Nr. Order-No.	Beschreibung Description	Gerätetyp Device type
5	529043	Verlängerung Extension	CFE, CEE, CFA, CFS
6	529061	Griff/braun Holder/brown	CFE, CEE, CFA, CFS
7	529114	Deckel Cover	CFE, CEE, CFA, CFS



Abb. Pict.	Bestell-Nr. Order-No.	Beschreibung Description	Gerätetyp Device type
1	529041	Siebträger, M12 Filter holder	CFE, CEE, CFA, CFS, Rimini (alt/old)
2	529116	Griff (braun), M12 Handle (brown), M12	CFE, CEE, CFA, CFS, Rimini (alt/old)
3	529121	Griff/schwarz, M12 Handle/black, M12	CFE, CEE, CFA, CFS, Rimini (alt/old)

Abb. Pict.	Bestell-Nr. Order-No.	Beschreibung Description	Gerätetyp Device type
4	529150	Siebträger Filter holder	Nuova Ariete, Rimini
5	529049	Griff Holder	Nuova Ariete, Rimini
6	529123	Schraube Screw	Nuova Ariete, Rimini

Ausläufe/Spouts



Abb. Pict.	Bestell-Nr. Order-No.	Beschreibung Description
1	529002	3/8", 1 Weg, gerade/kurz 3/8", 1 way, straight/short
2	529001	3/8", 1 Weg, gerade/lang 3/8", 1 way, straight/long
3	529005	3/8", 1 Weg, gebogen/kurz 3/8", 1 way, curved/short
4	529003	3/8", 1 Weg, gebogen/lang 3/8", 1 way, curved/long

Abb. Pict.	Bestell-Nr. Order-No.	Beschreibung Description
5	529004	3/8", 1 Weg, gebogen/geschlossen 3/8", 1 way, curved/closed
6	529008	3/8", 2 Wege, Abstand 44mm 3/8", 2 ways, distance 44mm
7	529007	3/8", 2 Wege, Abstand 55mm/kurz 3/8", 2 ways, distance 55mm/short
8	529006	3/8", 2 Wege, Abstand 55mm/lang 3/8", 2 ways, distance 55mm/long